
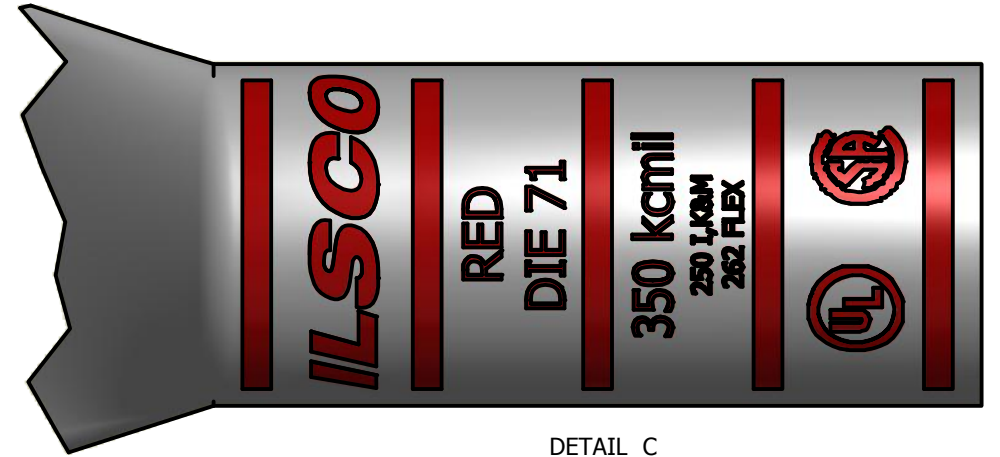
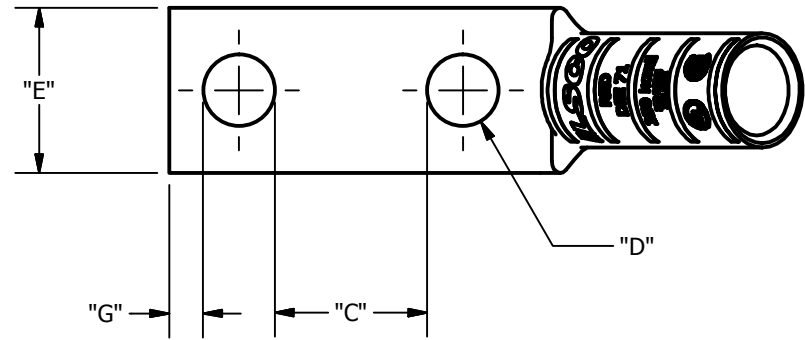
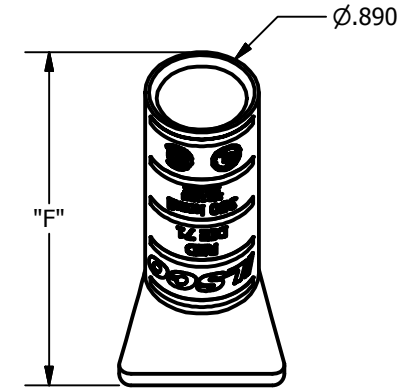
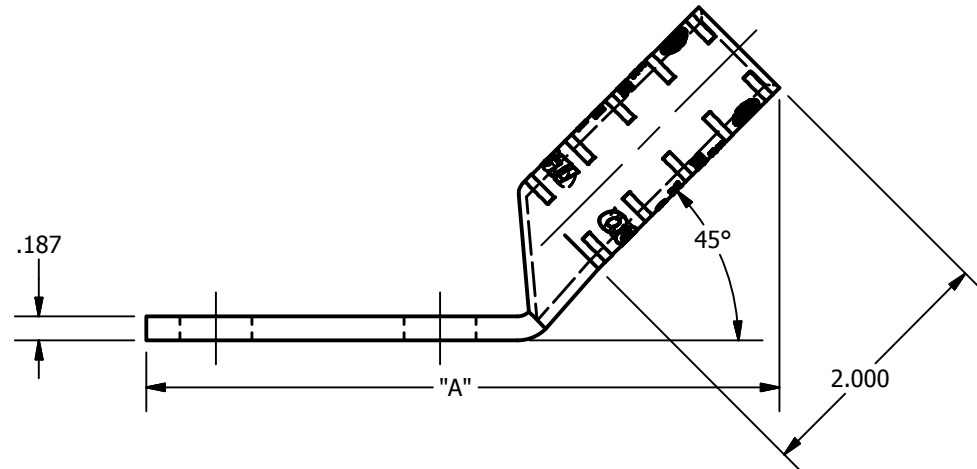


SCREW: NONE	MATERIAL: COPPER	REV: E	 800-776-9775 www.ilSCO.com
CAT. NO.: SEE CHART	PLATING: EL-TIN	DRAWN BY:DW SCALE: NTS	
INFORMATION SHEET:FORM 157	MARKING: SEE CHART	DATE:6/3/2008 SIZE: B	
			DWG NO: Y1303-D-4
			SHEET: 1 OF 1



DETAIL C  
INK MARK TOP & BOTTOM



CATALOG NUMBER	"A"	"C"	"D"	"E"	"F"	"G"	TANG MARKING
CLNB-350-14-12-4	3.332	0.219	0.281	1.291	2.626	0.180	UL, ILSCO, CSA, CLNB-350-14-12-4, 1/4 x 1/2, 350 kcmil, 250 I,K,M, 262 FLEX, DIE 71
CLNB-350-14-58-4	3.519	0.344	0.281	1.291	2.626	0.180	UL, ILSCO, CSA, CLNB-350-14-58-4, 1/4 x 5/8, 350 kcmil, 250 I,K,M, 262 FLEX, DIE 71
CLNB-350-14-34-4	3.519	0.469	0.281	1.291	2.626	0.180	UL, ILSCO, CSA, CLNB-350-14-34-4, 1/4 x 3/4, 350 kcmil, 250 I,K,M, 262 FLEX, DIE 71
CLNB-350-14-1-4	3.769	0.719	0.281	1.291	2.626	0.180	UL, ILSCO, CSA, CLNB-350-14-1-4, 1/4 x 1, 350 kcmil, 250 I,K,M, 262 FLEX, DIE 71
CLNB-350-516-58-4	3.519	0.282	0.343	1.291	2.626	0.180	UL, ILSCO, CSA, CLNB-350-516-58-4, 5/16 x 5/8, 350 kcmil, 250 I,K,M, 262 FLEX, DIE 71
CLNB-350-516-34-4	3.769	0.407	0.343	1.291	2.626	0.180	UL, ILSCO, CSA, CLNB-350-516-34-4, 5/16 x 3/4, 350 kcmil, 250 I,K,M, 262 FLEX, DIE 71
CLNB-350-516-78-4	3.769	0.532	0.343	1.291	2.626	0.180	UL, ILSCO, CSA, CLNB-350-516-78-4, 5/16 x 7/8, 350 kcmil, 250 I,K,M, 262 FLEX, DIE 71
CLNB-350-516-1-4	4.019	0.657	0.343	1.291	2.626	0.180	UL, ILSCO, CSA, CLNB-350-516-1-4, 5/16 x 1, 350 kcmil, 250 I,K,M, 262 FLEX, DIE 71
CLNB-350-516-134-4	4.582	1.407	0.343	1.291	2.626	0.180	UL, ILSCO, CSA, CLNB-350-516-134-4, 5/16 x 1-3/4, 350 kcmil, 250 I,K,M, 262 FLEX, DIE 71
CLNB-350-38-34-4	3.769	0.344	0.406	1.291	2.626	0.211	UL, ILSCO, CSA, CLNB-350-38-34-4, 3/8 x 3/4, 350 kcmil, 250 I,K,M, 262 FLEX, DIE 71
CLNB-350-38-78-4	4.019	0.469	0.406	1.291	2.626	0.211	UL, ILSCO, CSA, CLNB-350-38-78-4, 3/8 x 7/8, 350 kcmil, 250 I,K,M, 262 FLEX, DIE 71
CLNB-350-38-1-4	4.019	0.594	0.406	1.291	2.626	0.211	UL, ILSCO, CSA, CLNB-350-38-1-4, 3/8 x 1, 350 kcmil, 250 I,K,M, 262 FLEX, DIE 71
CLNB-350-38-116-4	4.019	0.656	0.406	1.291	2.626	0.211	UL, ILSCO, CSA, CLNB-350-38-116-4, 3/8 x 1-1/6, 350 kcmil, 250 I,K,M, 262 FLEX, DIE 71
CLNB-350-38-118-4	4.207	0.719	0.406	1.291	2.626	0.211	UL, ILSCO, CSA, CLNB-350-38-118-4, 3/8 x 1-1/8, 350 kcmil, 250 I,K,M, 262 FLEX, DIE 71
CLNB-350-38-134-4	4.707	1.344	0.406	1.291	2.626	0.211	UL, ILSCO, CSA, CLNB-350-38-134-4, 3/8 x 1-3/4, 350 kcmil, 250 I,K,M, 262 FLEX, DIE 71
CLNB-350-38-2-4	5.082	1.594	0.406	1.291	2.626	0.211	UL, ILSCO, CSA, CLNB-350-38-2-4, 3/8 x 2, 350 kcmil, 250 I,K,M, 262 FLEX, DIE 71
CLNB-350-12-1-4	4.207	0.438	0.562	1.291	2.626	0.265	UL, ILSCO, CSA, CLNB-350-12-1-4, 1/2 x 1, 350 kcmil, 250 I,K,M, 262 FLEX, DIE 71
CLNB-350-12-114-4	4.582	0.688	0.562	1.291	2.626	0.265	UL, ILSCO, CSA, CLNB-350-12-114-4, 1/2 x 1-1/4, 350 kcmil, 250 I,K,M, 262 FLEX, DIE 71
CLNB-350-12-112-4	4.707	0.938	0.562	1.291	2.626	0.265	UL, ILSCO, CSA, CLNB-350-12-112-4, 1/2 x 1-1/2, 350 kcmil, 250 I,K,M, 262 FLEX, DIE 71
CLNB-350-12-134-4	5.082	1.188	0.562	1.291	2.626	0.265	ILSCO, CLNB-350-12-134-4, 1/2 X 1-3/4, 350 kcmil, 250 IKM / 262 FLEX, DIE 71, UL, CSA
CLNB-350-12-178-4	5.082	1.313	0.562	1.291	2.626	0.265	UL, ILSCO, CSA, CLNB-350-12-178-4, 1/2 x 1-7/8, 350 kcmil, 250 I,K,M, 262 FLEX, DIE 71